



i9043 Two Zone Induction Boiling Top



Short Form Specification

Unit to be Falcon F900 Series induction counter top having 2 x 5kW cooking zones. Unit to be supplied upon adjustable feet or upon optional base unit.

The hob will be constructed from 6mm toughened ceramic glass and 2mm 304 grade stainless steel. Hobs will be laser cut with right-angled edges to allow joining of units with no gaps between hobs. Exterior panels are Scotch Brite finish stainless steel.

Control knobs to be marked showing zone variable control settings and to have a bezel behind each knob to prevent water ingress. The unit will have IPX 5 water resistance certification.

Key Features

- 2 x 5kW energy efficient heat zones
- Sealed 6mm toughened glass hob
- In-built pan detection - no wasted energy
- Low heat emission
- Variable control settings
- IPX 5 water resistance certification
- Supplied upon adjustable stainless steel feet
- 2mm thick 304 grade stainless steel hob
- Laser cut hob allows edge to edge joining of units
- Stainless steel external panels with Scotch Brite finish
- Dynamic Link System Compatible



Integrated linking system allows quick and easy installation to create a continuous cookline.

UK Patent No. 2540131

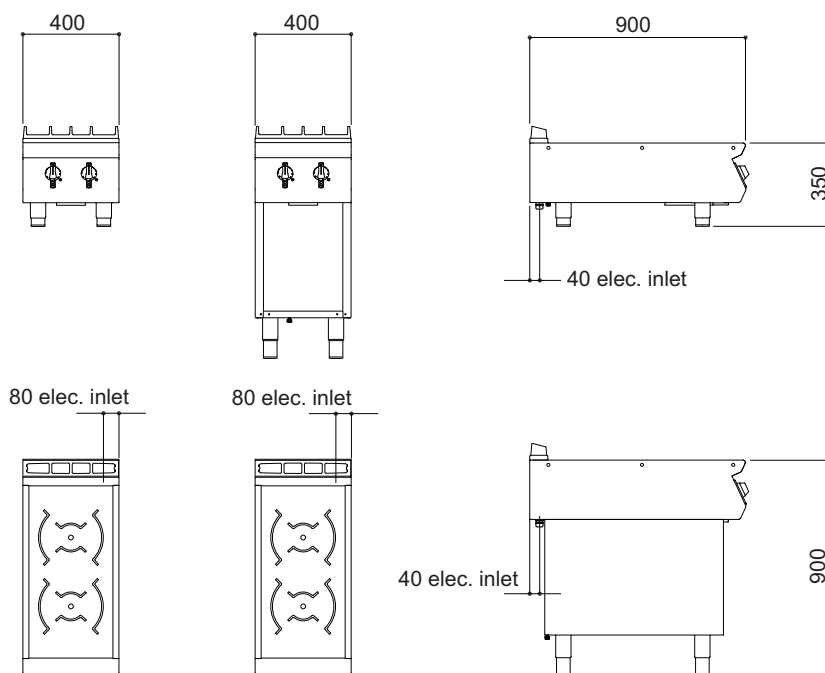
Accessories

- Front hob rail
- Fixed or mobile stands



i9043 Two Zone Induction Boiling Top

Model Dimensions (in mm)



Specification Details

Electrical rating (kW)	10
Electrical supply voltage (V)	400V 3N~
Required electrical supply (A)	32
Electrical current split (A)	L1: 14.4 / L2: 14.4 / L3: 14.4
Zone rating (kW)	2 x 5
Weight (kg)	41
Packed weight (kg)	49
Packed dimensions (mm)	490 (w) x 1000 (d) x 780 (h)

Installation Note:

Please consult local legislation with regard to installation of cooking equipment.